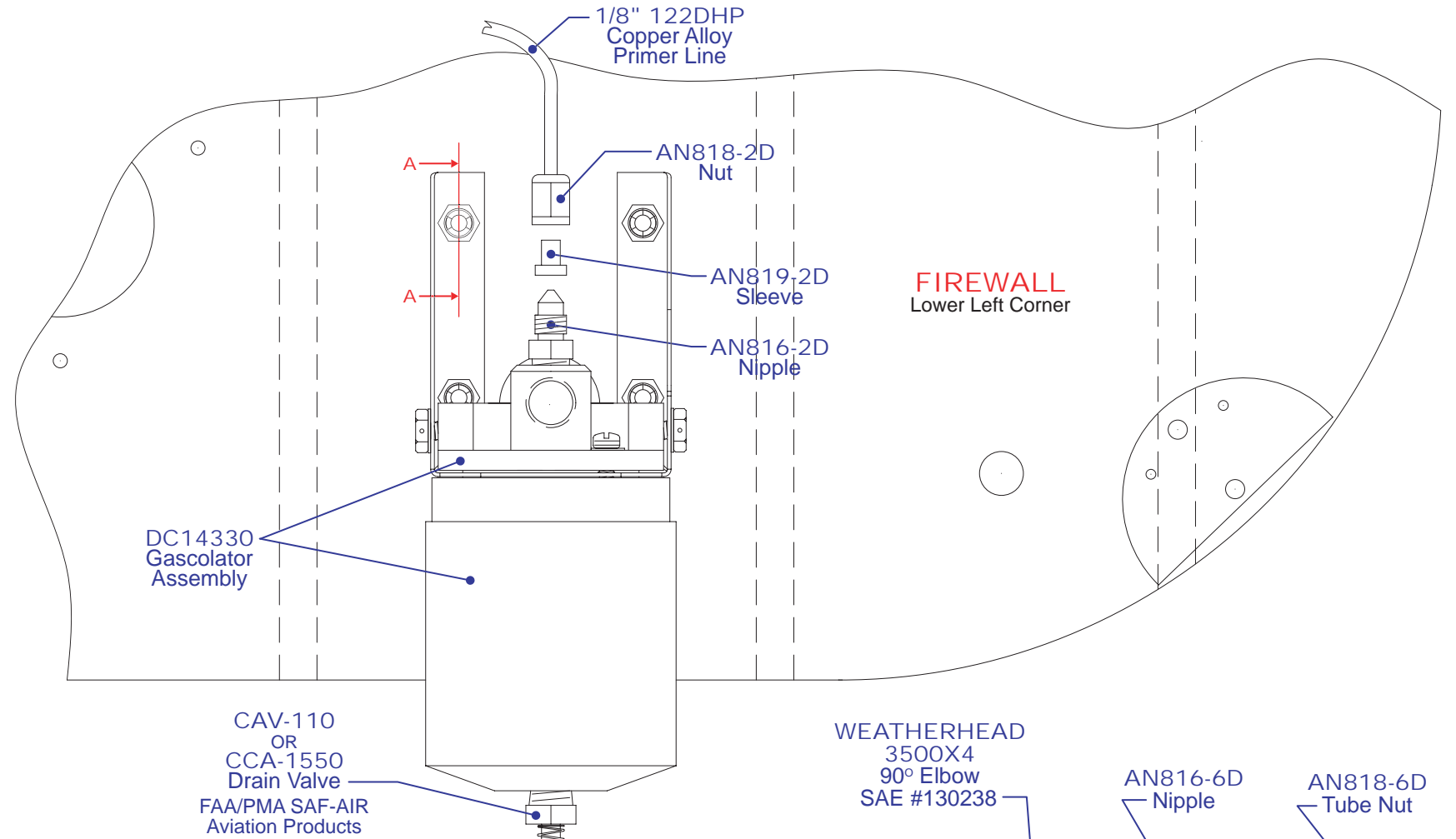
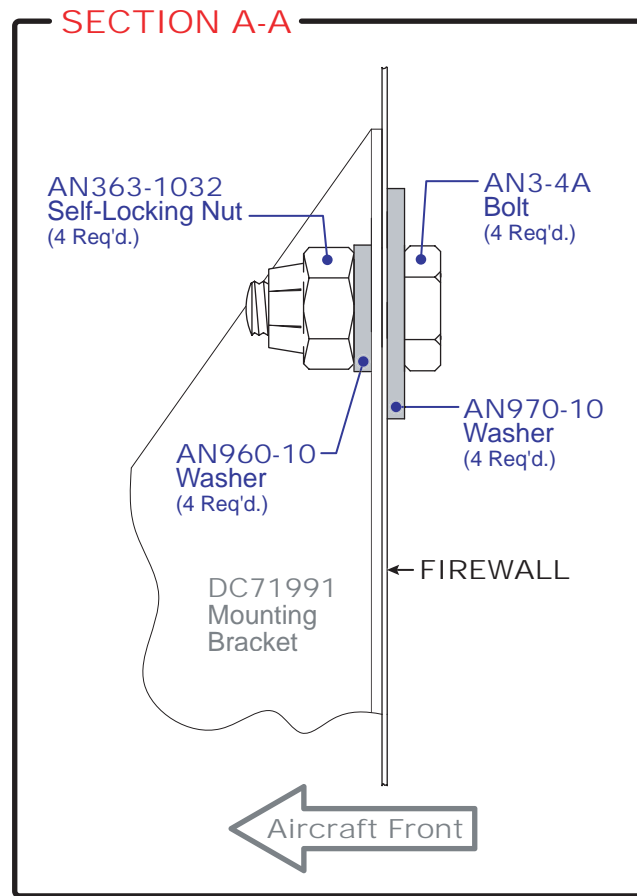
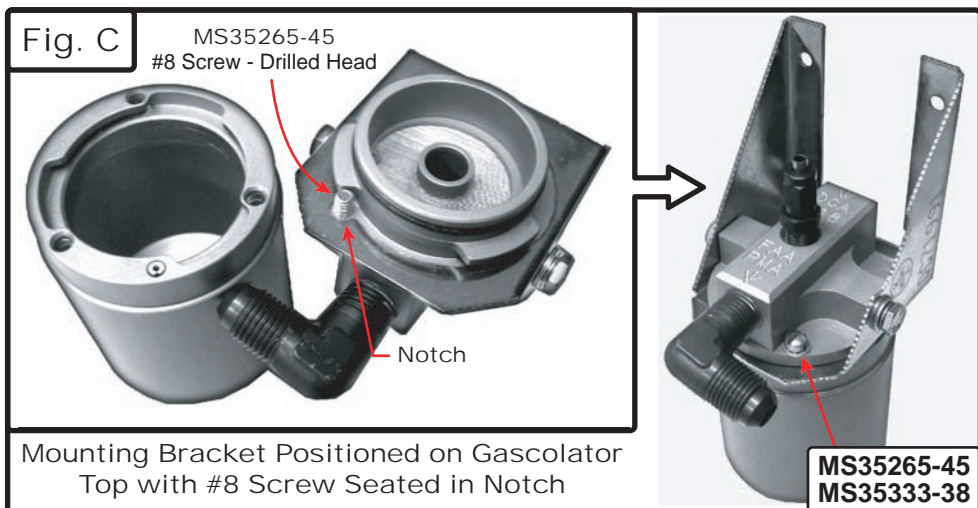
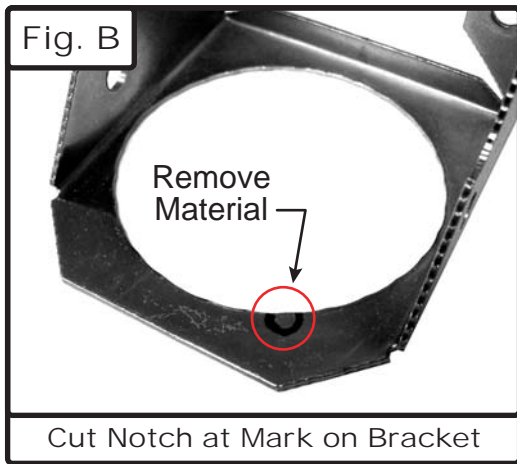


Installation Supplement

- DC14330 Gascolator Ass'y.
- DC71991 Bracket Ass'y.



Notes:

1. Primary locking method for Gascolator Cup: **MS35265-45 Screw and MS35333-38 Washer**
* Alternate locking method: **Safety wire (per AC43.13)** between **AN3H-3A Bolt** and **MS35265-45 Screw**.
2. **All NPT Joints** are sealed with a non-hardening, thread-sealing compound suitable for use with Aviation and Automotive grade fuels. **(J.C. Whitlam MFG. Co. #TF4 Federal Specification TT-S-1732, or equivalent.)**

